

# imanpack

PACKAGING & ECO SOLUTIONS

## MFW 2000

### Vertical Form Fill & Seal bagging machine (VFFS)

Vertical bagging machine. It can be connected to automatic production lines and synchronised with automatic loaders, scales, feeder systems.

**Film used:** PE Polyethylene, PP Propylene

**Film width:** form fill seal max. 300 mm - 600 mm  
extended

**Bag dimensions**

Bag width: 80 - 280 mm

Bag length: 40 - 240 mm

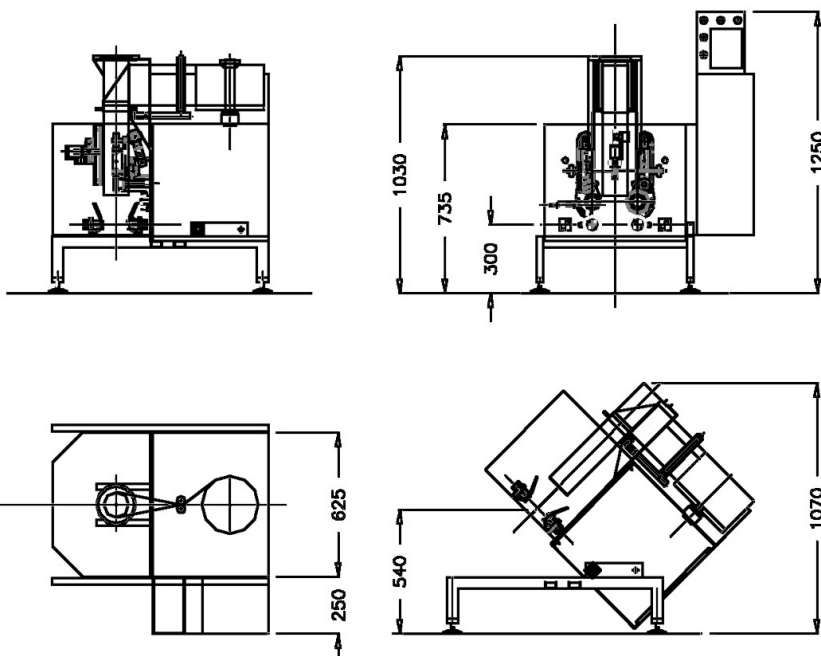
**Speed:** up to 15 bags/minute

**Maximum forming unit tube size:** 183 x 105 mm



## TECHNICAL FEATURES

- Steel shaping tubes:
  - Rectangular: Min 50 x 30 mm - Max 180 x 105 mm.
  - Cylindrical: diameter Min 50 mm - Max 150 mm.
- Motor-driven reel unwinding.
- Package weight up to 10 kg.
- Motor-driven film feed belts.
- Control and command via PLC.
- Encoder type bag length check device.
- Band sealing for PE.
- Hot bar sealing for BOPP.
- Stainless steel version available.
- Inclined version available.
- Double bag length check.
- Machine built according to CE Standards.



## OPTIONS

Available version MFW 2000 Inclined 45°.

## MAIN SECTORS

Manufacturing and distribution of food, personal care, cosmetics, pharmaceuticals, house care, pet food, pet care.

Screws, nuts and bolts, small metal tools, small plastic objects, wood; electrical components, electronic components; hydraulic components; building components.

layout

# imanpack

PACKAGING & ECO SOLUTIONS

Via Lago di Bolsena, 19 36015 Schio (VI) ITALY  
Tel. +39.0445.578.811 Fax+39.0445.575.111  
www.imanpack.it email: info@imanpack.it