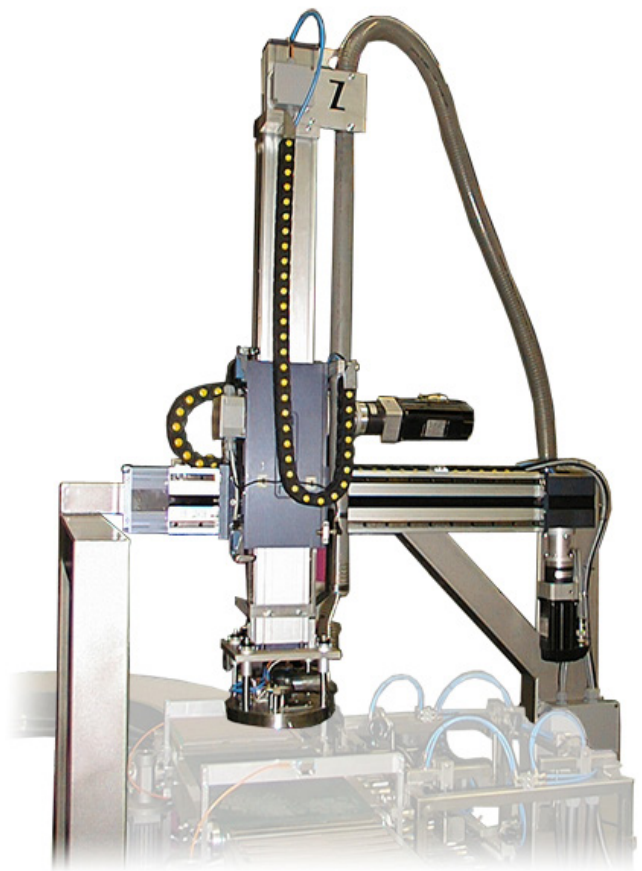


AV 100

2-axis cartesian Pick & Place Robot

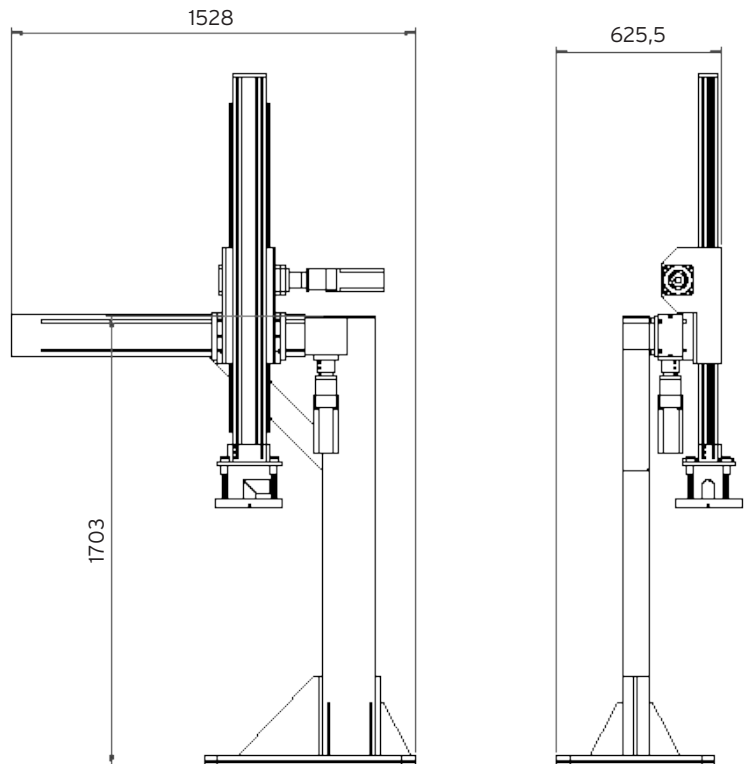
2-axis movement robot with gripper or suction cup pick-up head, ideal for handling packaged products and inserting them in boxes.





TECHNICAL FEATURES

- Vertical arm movement axis with 600 mm stroke.
- Horizontal arm movement axis with 600 mm stroke.
- Pick-up head with grippers or three suction cups, adjustable to suit product dimensions.
- Robot fastener column.
- Accident prevention guards.
- Separate electrical cabinet.
- Rockwell Allen Bradley® control PLC with Imanpack operator interface.
- FESTO pneumatic equipment.
- RAL 9010 painting.
- Machine built according to CE Standards.



layout

imanpack

PACKAGING & ECO SOLUTIONS

Via Lago di Bolsena, 19 36015 Schio (VI) ITALY
Tel. +39.0445.578.811 Fax+39.0445.575.111
www.imanpack.it email: info@imanpack.it